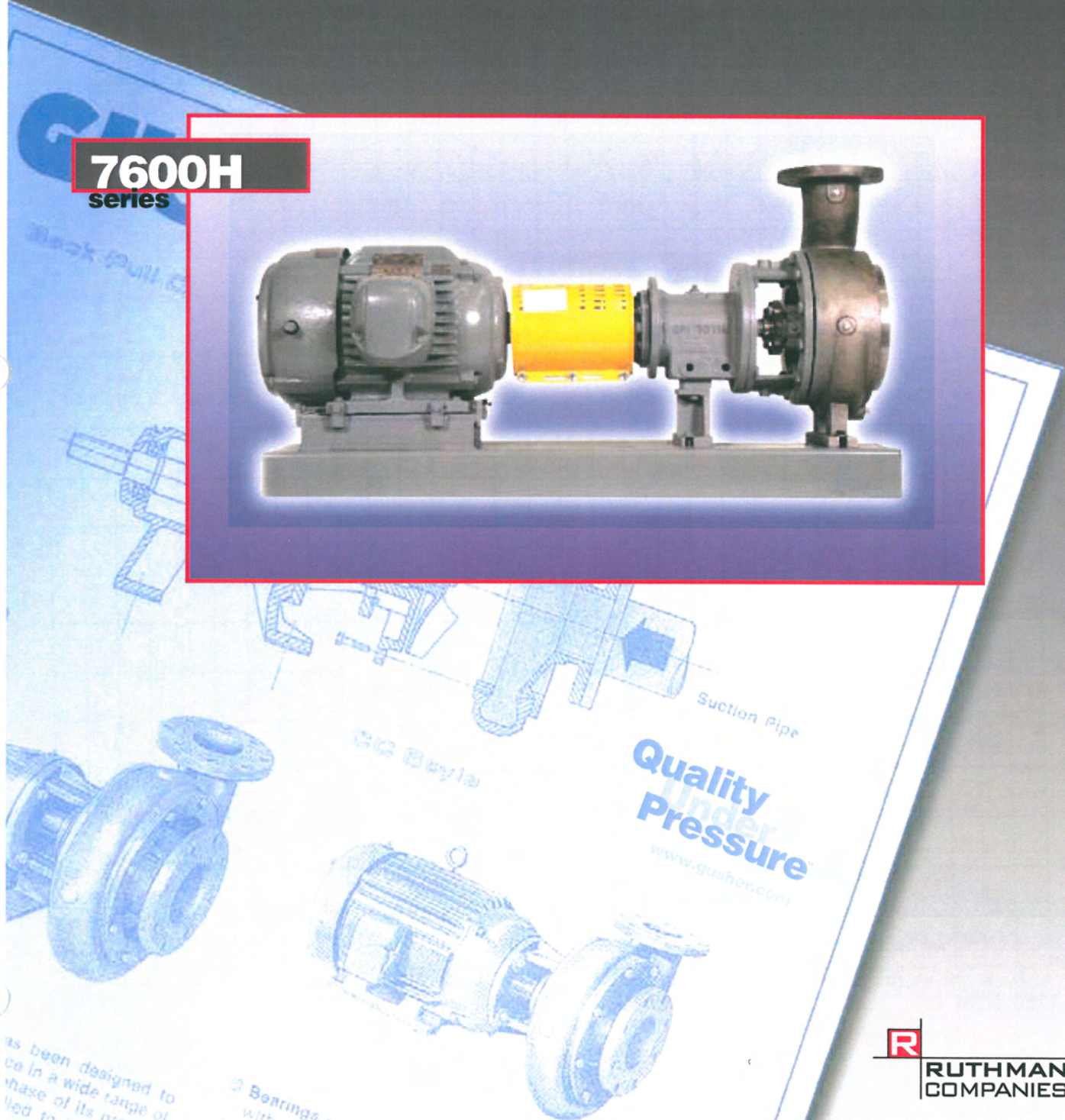
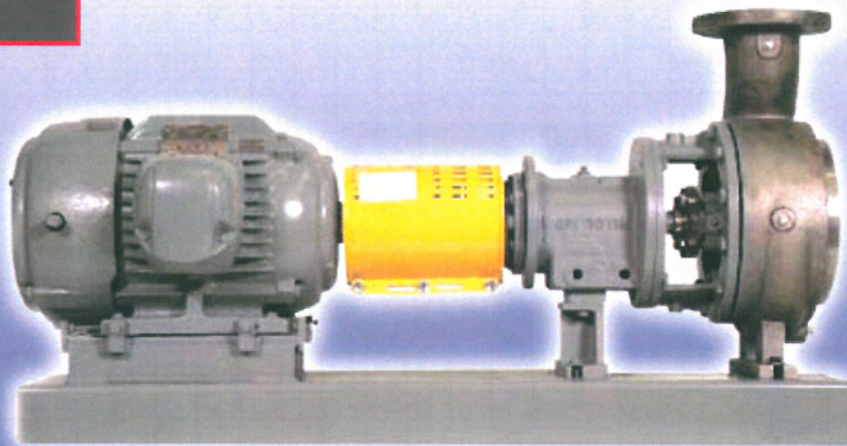


Horizontal End Suction Back Pull-Out Centrifugal Pumps



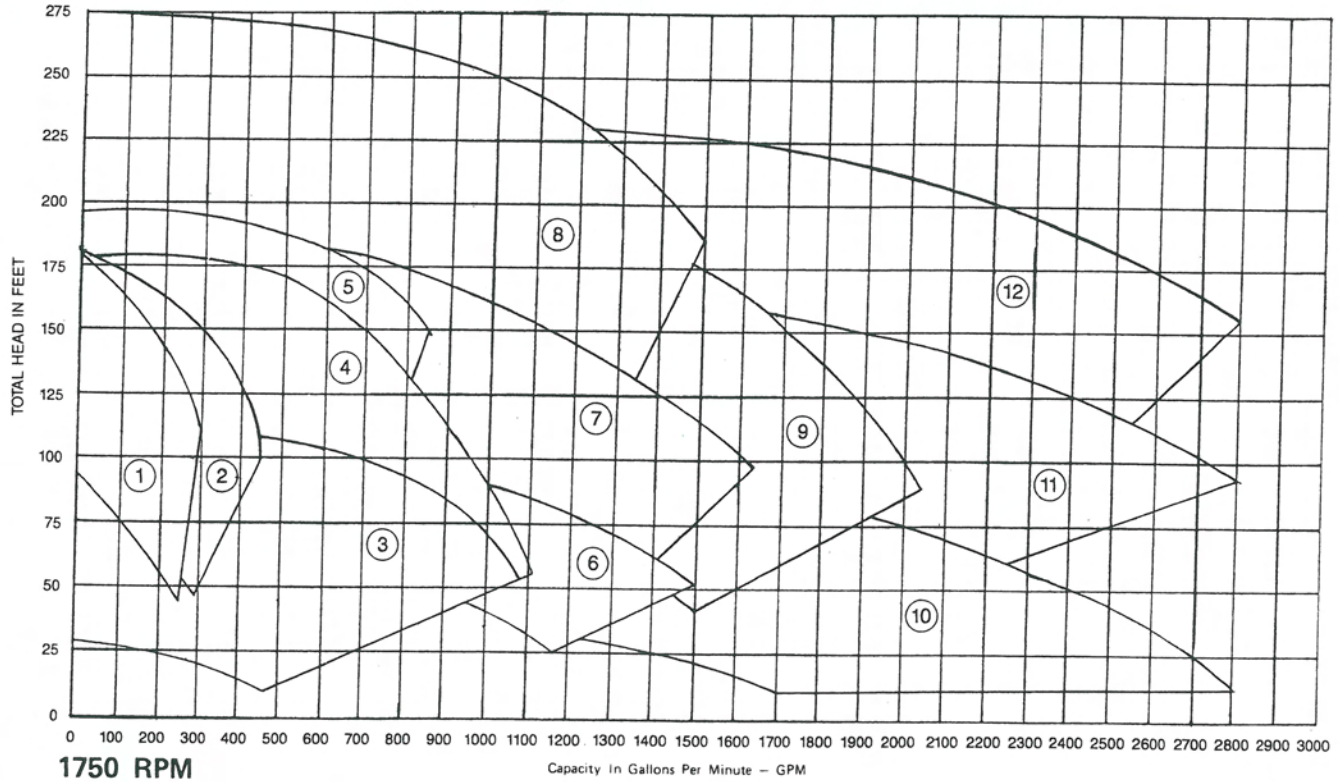
A RUTHMAN COMPANY
www.gusher.com

7600H
series

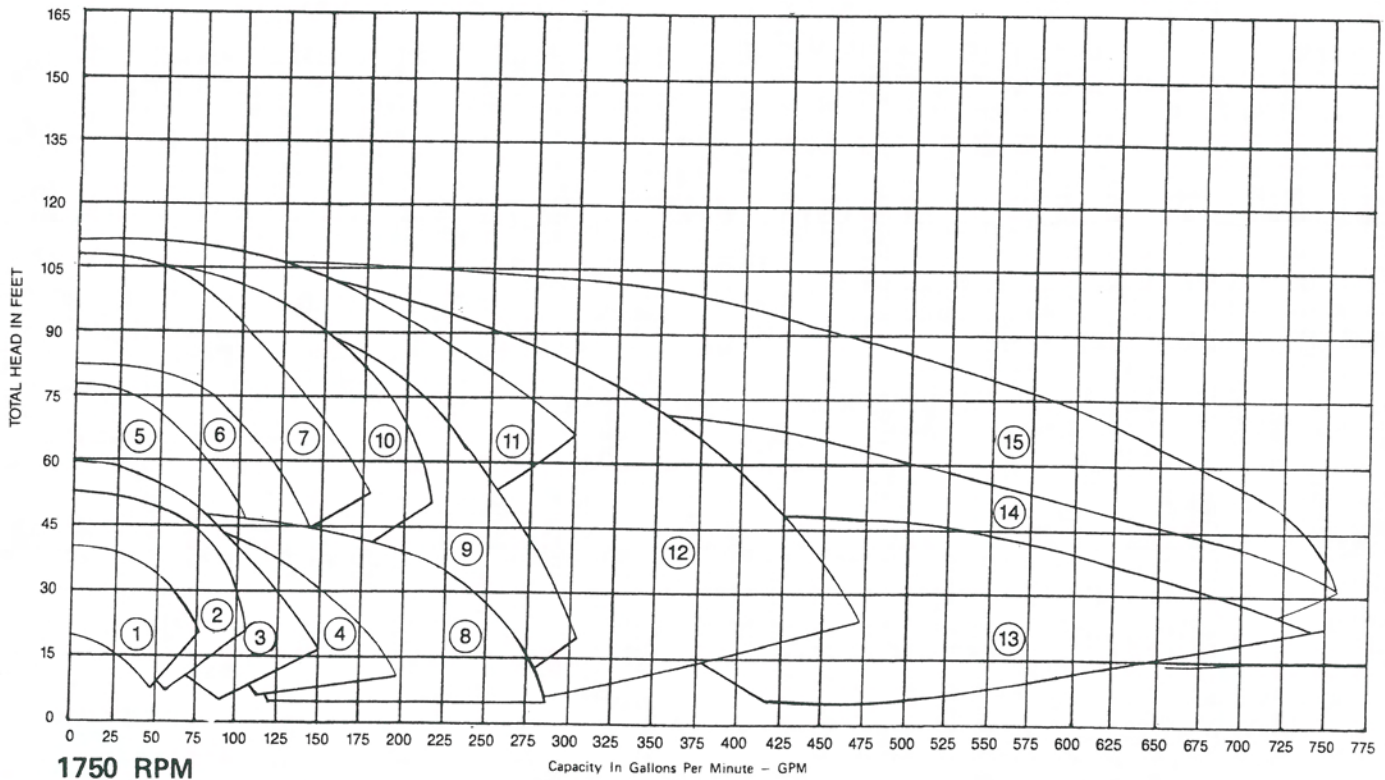


CAPACITY AND PERFORMANCE

CAPACITY AND PERFORMANCE SELECTION CHARTS



- | | | | |
|------------------------|-----------------------|-----------------------|------------------------|
| 1. PCL - 1½ x 3 - 13SE | 4. P - 4 x 5 - 13 SE | 7. PCL - 4 x 6 - 13SE | 10. P - 6 x 8 - 11SE |
| 2. PCL - 2 x 3 - 13SE | 5. PCL - 3 x 4 - 13SE | 8. PCL - 5 x 6 - 16E | 11. PCL - 6 x 8 - 13SE |
| 3. P - 4 x 5 - 11SE | 6. PCL - 4 x 6 - 10SE | 9. P - 6 x 6 - 14E | 12. PCL - 6 x 8 - 15SE |

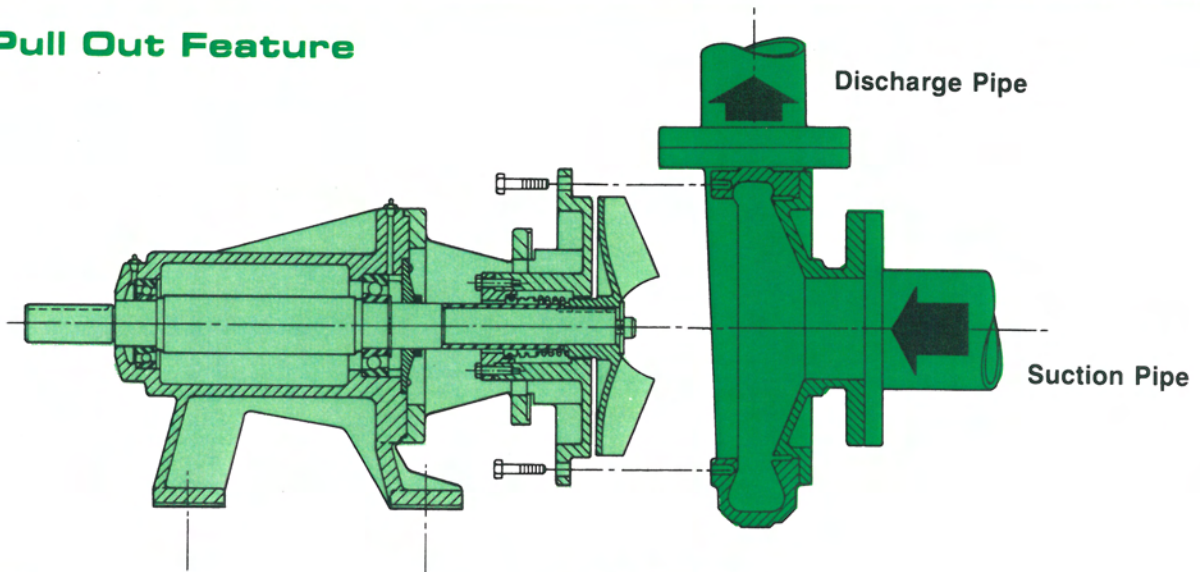


- | | | | | |
|--------------------------|--------------------------|--------------------------|-------------------------|-----------------------|
| 1. PCL - 1 x 1.50 x 6SE | 4. P - 2 x 2.50 x 7SE | 7. PCL - 1.50 x 3 x 10SE | 10. P - 1.50 x 2 x 10SE | 13. P - 4 x 5 x 7SE |
| 2. P - 1.25 x 1.50 x 7SE | 5. P - 1 x 1.50 x 8SE | 8. P - 2.50 x 3 x 7SE | 11. PCL - 2 x 3 x 10SE | 14. PCL - 3 x 4 x 8SE |
| 3. P - 1.50 x 2 x 7SE | 6. P - 1.25 x 1.50 x 9SE | 9. P - 2 x 2.50 x 10SE | 12. P - 2.50 x 3 x 10SE | 15. P - 3 x 4 x 10SE |

FOR INDIVIDUAL PUMP PERFORMANCE CURVES SEE PAGES 33-59

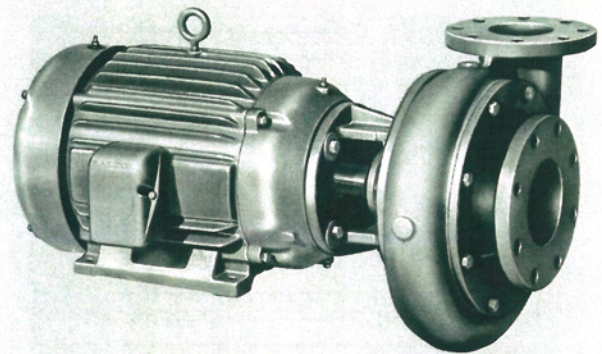
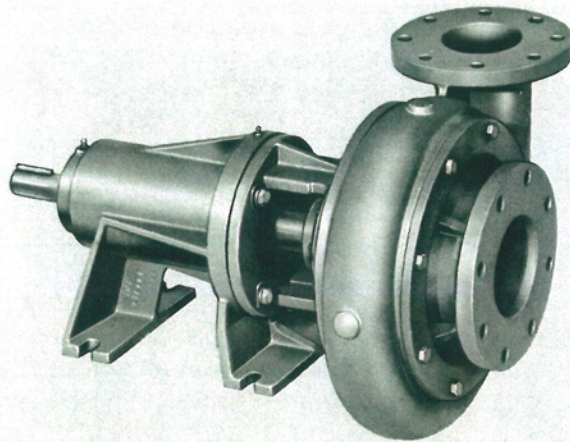
CONSTRUCTION

Back Pull Out Feature



C Style

CC Style



Proven Design

The Gusher 7600H Series has been designed to give heavy duty pumping service in a wide range of industrial applications. Each phase of its production has been carefully controlled to insure long life and minimum maintenance.

Handles Wide Range of Application

- Spray Booths
- Phosphate Systems
- Filtration Systems
- Paint Systems
- Industrial Spray Washers
- Coolant Systems

Capacities

Sizes in 7600H Series range from 1 $\frac{1}{4}$ " to 6" discharge with heads up to 210 feet @ 1750 RPM. Capacities up to 2500 GPM. (3600 RPM Pumps are available—selection through distributor or factory.)

Features

- **Back Pull-Out** — provides for easy removal of rotating assembly for fast & easy repairs. Saves down time and maintenance costs.

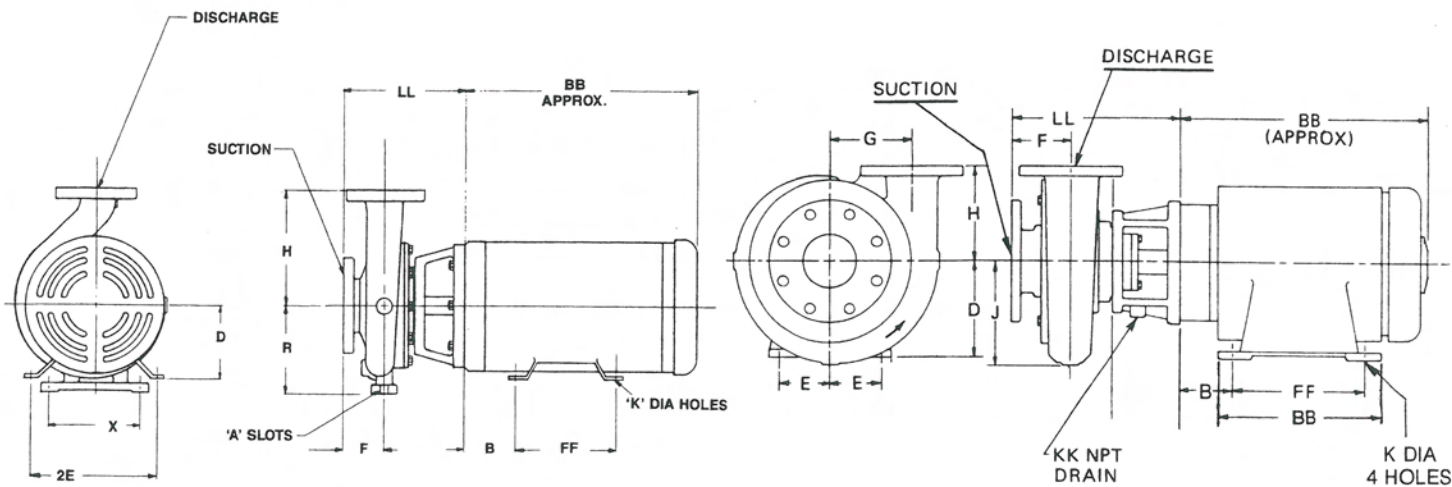
- **Bearings** — oversize heavy duty type supplied with grease fittings. (oil lubrication optional)
- **Shaft** — extra heavy, made of high strength steel.
- **Impeller** — proven design increases efficiency and performance. Enclosed or semi-enclosed are available (see chart).
- **Pump Casings** have one mounting dimension for all sizes.
- **Seals** normally furnished are Single Mechanical — can be furnished with Double Mechanical Seals or Packing.
- **Special seal materials** are available for critical applications.
- **Shaft Sleeve** of stainless steel is gasketed and easily replaceable.
- **Wear Ring** — replaceable on enclosed impellers increase efficiency and stability of pump.

Materials of Construction

The Gusher 7600H Series is available with a selection of materials to meet every need. Pumps can be furnished with cast iron construction, stainless construction, stainless fitted construction, as well as bronze fitted construction.

SIZE AND DIMENSIONS

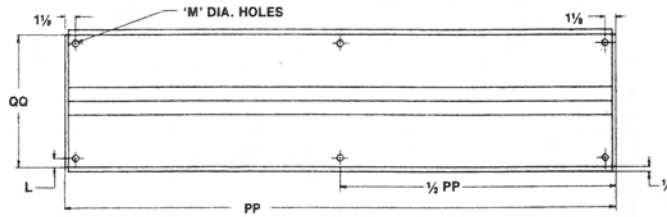
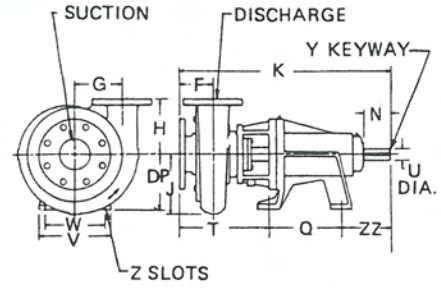
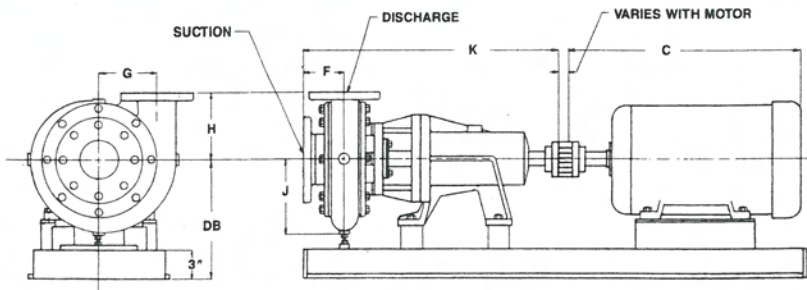
CC Style



MODEL NO.	CONNECTION		H	G	J	F	X	R	LL	A DIA SLOTS
	NPT THD	125 ASE								
PCL 1 x 1.50 x 98E		X	6.50	—	—	4	6	5.25	11.43	.62
P 1.25 x 1.50 x 78E	X		4	3.75	5.06	3.37	—	—	11.25	—
P 1.25 x 1.50 x 98E	X		5	4.71	5.75	3.56	—	—	11.25	—
P 1.50 x 2 x 78E	X		5	4.12	5.31	3.43	—	—	11.84	—
P 1.50 x 2 x 108E	X		6	5.50	6.07	3.53	—	—	11.43	—
PCL 1.50 x 3 x 108E		X	8.50	—	—	4	4.87	8.25	12.37	.62
PCL 1.50 x 3 x 138E		X	10.50	—	—	4	6.75	10	12.56	.62
P 2 x 2.50 x 78E	X		5	4.12	5.43	3.68	—	—	11.83	—
P 2 x 2.50 x 108E	X		5.25	5.50	6.78	4.06	—	—	11.83	—
PCL 2 x 3 x 108E		X	8.50	—	—	4	6.75	8.25	12.37	.62
PCL 2 x 3 x 138E		X	11.50	—	—	4	6.75	10	12.562	.62
P 2.50 x 3 x 78E	X		5.50	4.25	5.88	3.93	—	—	12.24	—
P 2.50 x 3 x 108E	X		6.75	5.75	6.67	4.06	—	—	11.84	—
PCL 3 x 4 x 98E	X		11	—	—	4	6.75	8.25	11.80	.62
P 3 x 4 x 108E	X		7	6	7.71	4.25	—	—	12	—
PCL 3 x 4 x 138E	X		12.50	—	—	4	6.75	10.00	11.73	.62
P 4 x 5 x 78E	X		7.50	4.75	6.5	4.87	—	—	11.83	—
P 4 x 5 x 118E	X		8.50	7.12	8.88	4.75	—	—	12.83	—
P 4 x 5 x 138E	X		9.50	8	9.28	4.187	—	—	12.75	—
PCL 4 x 6 x 108E	X		13.00	—	—	4	6.75	10.00	12.63	.62
PCL 4 x 6 x 138E	X		16.00	—	—	4	6.75	10.00	12.87	.62
PCL 3 x 6 x 108E	X		15.75	—	—	5.75	10	12.37	14.87	.87
P 6 x 6 x 14E	X		10.00	10.50	12.82	7.5	9	—	14.56	—
P 6 x 6 x 138E	X		8	8.37	11.31	3.62	—	—	11	—
PCL 6 x 8 x 108E	X		16	—	—	6	16	14.50	16.84	.87
PCL 6 x 8 x 158E	X		18	—	—	6	16	14.50	16	.87

NEMA MOTOR SIZE	MOTOR DIMENSIONS					
	BB	D	E	FF	K DIA HOLES	B
143JP	10.62	3.5	2.75	4	.34	2.87
145JP	11.62	3.5	2.75	5	.34	3.50
182JP	12.68	4.5	3.75	4.5	.40	2.87
184JP	13.68	4.5	3.75	5.5	.40	3.50
213JP	15.37	5.25	4.25	5.5	.40	4.50
215JP	16.87	5.25	4.25	7	.40	4.50
254JP	19.50	6.25	5	8.25	.53	4.75
256JP	21.25	6.25	5	10	.53	4.75
284JP	21.56	7	5.50	9.5	.53	4.75
286JP	23.06	7	5.50	11	.53	4.75
324JP	23.93	8	6.25	10.50	.65	5.25
326JP	25.43	8	6.25	12	.65	5.25
364JP	26.31	9	7	11.25	.65	6.125
365JP	26.31	9	7	12.25	.65	6.125

SIZE AND DIMENSIONS



MODEL NO.	POWER FRAME	CONNECTION		DP	F	G	H	J	K	L	M	N	Q	R	T	U DIA	V	W	X	KEYWAY Y	SLOTS Z	ZZ	DB	A DIA SLOTS
		NPT THD	125 ASE																					
P-1.25 x 1.50 x 7SE	51	X		5.25	3.37	3.75	4	5.06	23.62	.87	.62-4	3.5	7		10.75	1.25		5		.25 x .125 x 2	.75	5.87	10	
P-1.25 x 1.50 x 9SE	51	X		5.25	3.56	4.71	5	5.75	23.62	.87	.62-4	3.5	7		10.75	1.25		5		.25 x .125 x 2	.75	5.87	10.5	
P-1.50 x 2 x 7SE	51	X		5.25	3.43	4.12	5	5.31	23.68	.87	.62-4	3.5	7		10.84	1.25		5		.25 x .125 x 2	.75	5.87	10	
P-1.50 x 2 x 10SE	51	X		5.25	3.53	5.50	6	6.37	23.87	.87	.62-4	3.5	7		10.93	1.25		5		.25 x .125 x 2	.75	5.87	11.5	
P-2 x 2.50 x 7SE	51	X		5.25	3.68	4.12	5	5.48	23.90	.87	.62-4	3.5	7		11.03	1.25		5		.25 x .125 x 2	.75	5.87	10	
P-2 x 2.50 x 10SE	51	X		5.25	4.06	5.50	6.25	6.78	24.31	.87	.62-4	3.5	7		11.46	1.25		5		.25 x .125 x 2	.75	5.87	11.5	
P-2.50 x 3 x 7SE	51	X		5.25	3.93	4.25	5.50	5.65	24	.87	.62-4	3.5	7		11.15	1.25		5		.25 x .125 x 2	.75	5.87	11	
P-2.50 x 3 x 10SE	52	X		7	4.06	5.75	6.75	6.87	26.81	.87	.62-4	3.25	9.25		11.09	1.50		7.5		.375 x .187 x 2.5	.75	6.375	12.50	
P-3 x 4 x 10SE	52	X		7	4.25	6	7	7.71	26.81	.87	.62-4	3.25	9.25		11.18	1.50		7.5		.375 x .187 x 2.5	.75	6.375	12.50	
P-4 x 5 x 7SE	51	X		6.25	4.87	4.75	7.50	6.5	25.34	.87	.62-4	3.5	7		12.46	1.25		5		.25 x .125 x 2	.75	5.87	11	
P-4 x 5 x 11SE	52	X		7	4.75	7.12	8.50	6.68	27.61	1	.75-6	3.25	9.25		12	1.50		7.5		.375 x .187 x 2.5	.75	6.375	14	
P-4 x 5 x 13SE	52	X		7	4.182	6	8.50	6.29	26.91	1	.75-6	3.25	9.25		11.28	1.50		7.5		.375 x .187 x 2.5	.75	6.375	14.50	
P-6 x 6 x 14E	707IL	X		14.50	7.5	10.50	10.50	12.62	32.68	3.5	.75-6	5.37	7.06		15.25	2.375		9	9	.625 x .3125 x 4	.75	10.40	17.50	
P-6 x 6 x 11SE **	52	X		7	3.62	6.37	9	11.31	25.87	1	.75-6	3.25	9.25		10.12	1.50		7.5		.375 x .187 x 2.5	.75	5.375	16	

¶ Power frames listed are most popular, if NEMA motor size dictates a different power frame consult factory for dimensions.

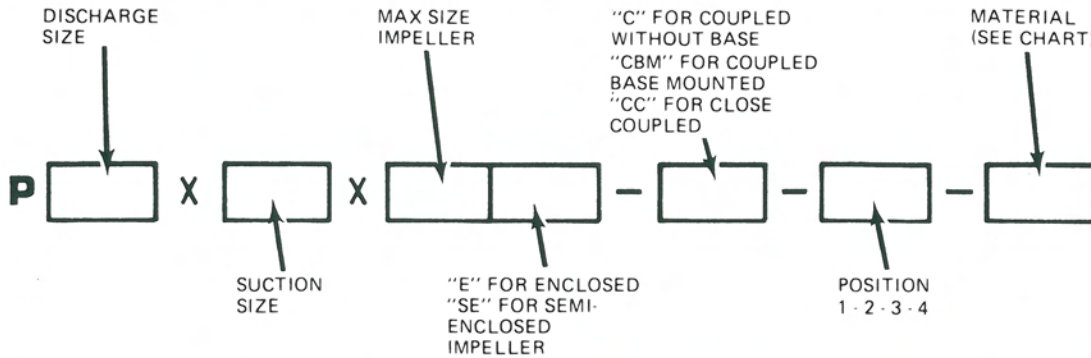
DIMENSIONS WHICH MAY VARY WITH NEMA MOTOR SIZE														
POWER FRAME	NEMA MOTOR SIZE	C* (Approx)	PP	QQ	POWER FRAME	NEMA MOTOR SIZE	C* (Approx)	PP	QQ	POWER FRAME	NEMA MOTOR SIZE	C* (Approx)	PP	QQ
	56	11.37	42	11.25		254T	22.25	58	13.75		326TS	27.81	68	18
	143T	12.37	42	11.25		256T	24	58	13.75		326T	29.31	68	18
	145T	13.37	42	11.25		284TS	23.5	60	17		364TS	29.18	70	18
	182T	15.18	44	11.25		284T	24.87	60	17		364T	31.31	70	18
51	184T	16.56	44	11.25	52	286TS	25	60	17	707IL	365TS	30.18	70	18
	213T	17.93	48	11.25		286T	26.37	60	17		365T	32.31	70	18
	215T	19.06	48	11.25		324TS	26.31	62	17		404TS	34.18	74	20
	254T	22.25	52	12.25		324T	27.81	62	17		405TS	35.68	74	20
	256T	24	52	12.25		326TS	27.81	62	17		326T	29.31	62	17
						364TS	29.18	64	18					

* 'C' Dimension Varies with Motor Mfg.

**Dimension from Edge of Base to Face of Suction-3.562.

ORDERING INFORMATION

Order the Gusher 7600H Series Pump to meet your needs by model number. The model number should be specified as follows:



EXAMPLE: For ordering a Coupled Base Mounted Pump with a 1¼" discharge and 1½" diameter suction with a semi-enclosed impeller of 7" maximum. Iron construction in #1 position. The model number for ordering description would be: 1¼" x 1½" x 7SE-CBM-1-A-H

Motor Specifications

Please furnish the following information on all orders: Horsepower, Frame Size, Voltage, RPM, Hertz and Phase. If a special motor is required specify: i e Delco GM-7EQ.

The **Base Mounted Pump** is designed to accept a Nema Frame Foot Mounted Motor. The **Close Coupled Pump** will accept a Nema Frame "JP" Face Motor.

Note: If motor is ordered it will be factory mounted unless otherwise specified.

Materials of Construction

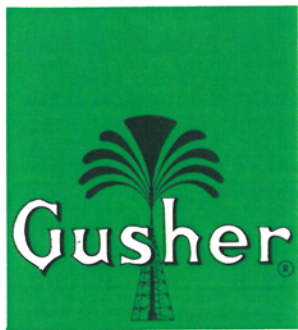
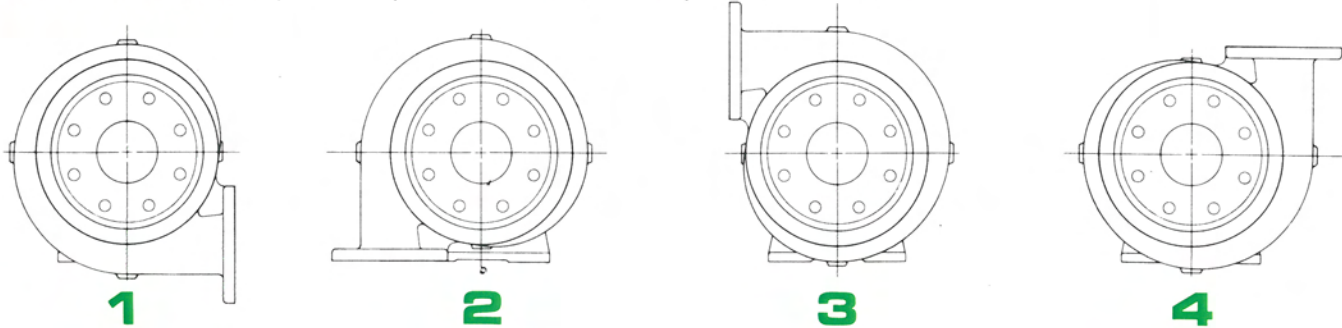
Material Designation	Type	Description
A	All Iron	cast iron construction
B	Stainless Steel	316 stainless steel wetted parts
C	Stainless Steel Fitted	316 stainless steel shaft and impeller
D	Bronze Fitted	bronze impeller

We Can Help

Our engineering department will help you select the proper pump for your application. Call or write. Performance Curves are available on all pumps.

Positions

Outlets for Close Coupled Pumps are available in four positions as follows:



PUMPS

SUBSIDIARY OF THE RUTHMAN MACHINERY CO.